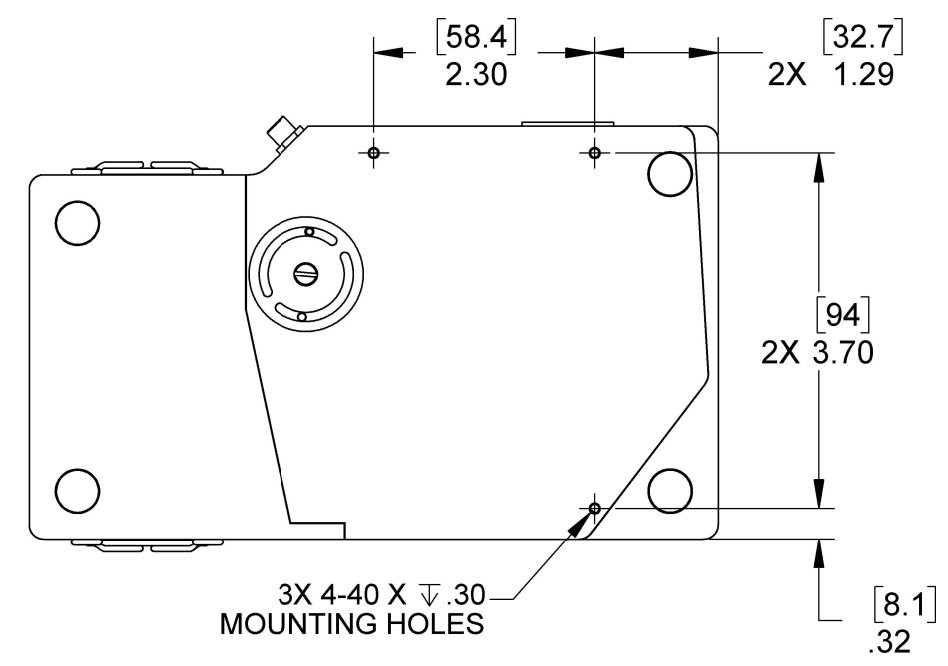
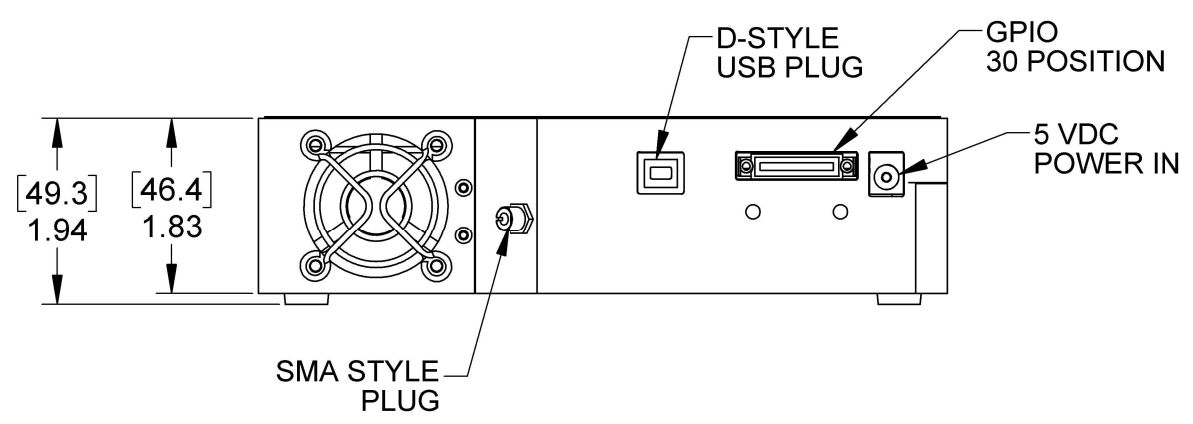
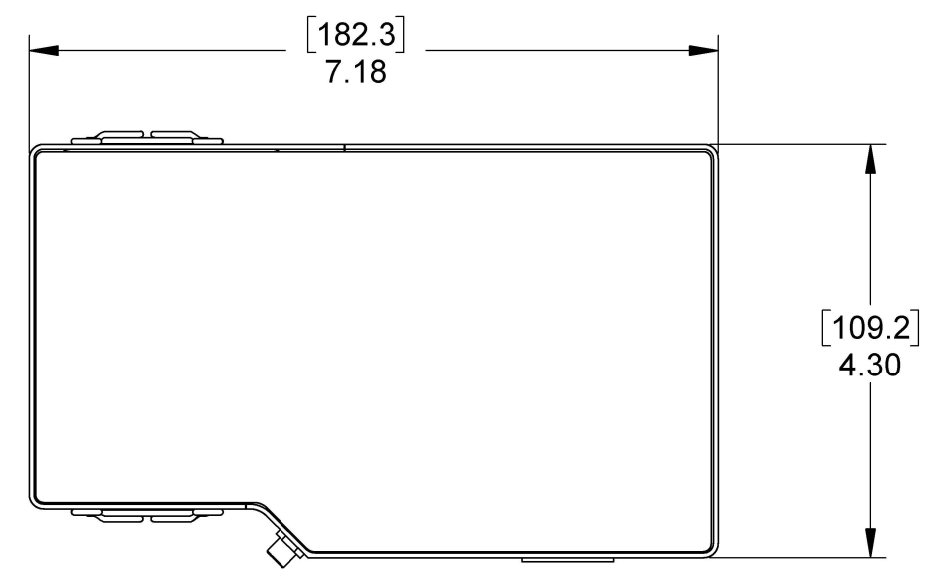

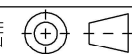


REVISION				
REV	DESCRIPTION	ECN	DATE	BY
01				

**GENERAL NOTES:**  
(UNLESS NOTED OTHERWISE)

1. All dimensions subject to change without notice.
2. For STEP file see: 016-70000-000\_CD.step



 <p>3500 Quadrangle Blvd. Orlando, FL 32817</p> <p>727 733 2447 www.oceaninsight.com</p> <p><b>PROPRIETARY AND CONFIDENTIAL</b></p> <p>THE INFORMATION CONTAINED IN THIS DRAWING IS THE SOLE PROPERTY OF OCEAN INSIGHT, INC.</p> <p>ANY REPRODUCTION IN PART OR AS A WHOLE WITHOUT THE WRITTEN PERMISSION OF OCEAN INSIGHT, INC. IS STRICTLY PROHIBITED.</p> <p><b>DO NOT SCALE DRAWING</b></p>	<p>- DIMENSIONS IN INCHES - UNLESS OTHERWISE NOTED</p> <p>.XX ±.01</p> <p>.XXX ±.005</p> <p>.XXXX ±.0005</p> <p>Angular ±0.5°</p>	<table border="1"> <tr> <th></th> <th>DATE</th> <th>NAME</th> </tr> <tr> <td>MODELED</td> <td>09/17/2014</td> <td>R. BROSILOW</td> </tr> <tr> <td>DRAWN</td> <td>09/17/2014</td> <td>R. BROSILOW</td> </tr> </table>		DATE	NAME	MODELED	09/17/2014	R. BROSILOW	DRAWN	09/17/2014	R. BROSILOW	<p>TITLE:</p> <p>NIRQUEST SPECTROMETER ASSEMBLY</p>
		DATE	NAME									
	MODELED	09/17/2014	R. BROSILOW									
	DRAWN	09/17/2014	R. BROSILOW									
<p>THIRD ANGLE PROJECTION</p> 	<p>PART NO.</p> <p><b>016-70000-000_Customer Drawing</b></p>											
<p>INTERPRET GEOMETRIC TOLERANCING PER: ASME Y14.5-2009</p>	<p>COMMENTS:</p>											
<p>MATERIAL</p>	<p>SIZE <b>B</b></p> <p>DWG. NO. <b>016-70000-000_CD</b></p> <p>REV <b>01</b></p>											
<p>FINISH</p>	<p><b>IN DEVELOPMENT</b></p>	<p>SCALE: <b>N/A</b></p>	<p>SHEET 1 OF 1</p>									