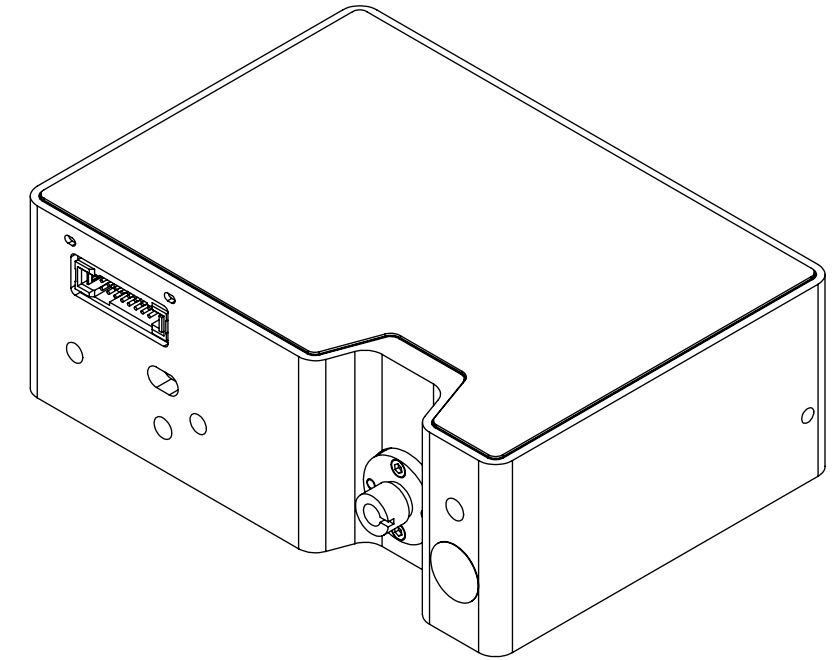
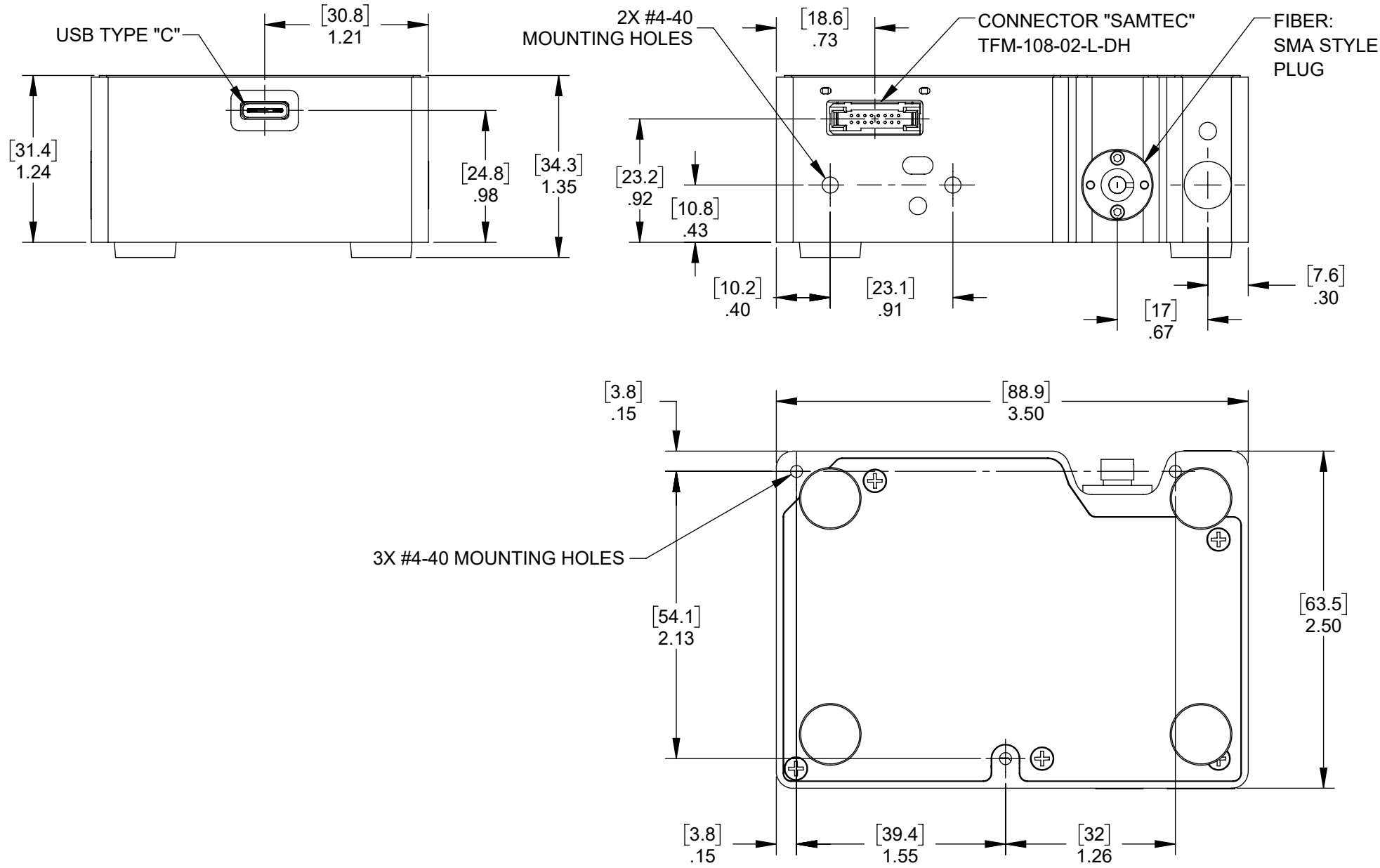


GENERAL NOTES:
(UNLESS OTHERWISE SPECIFIED)

1. ALL DIMENSIONS SUBJECT TO CHANGE WITHOUT NOTICE.
2. FOR STEP FILE SEE: C07-00000-000_CD.STEP

REVISION				
REV	DESCRIPTION	ECN	DATE	BY
03	ADD CONNECTOR LOCATIONS	-	03/22/23	KRH



<p>3500 Quadrangle Blvd. Orlando, FL 32817</p> <p>727 733 2447 www.oceaninsight.com</p> <p>PROPRIETARY AND CONFIDENTIAL</p> <p>THE INFORMATION CONTAINED IN THIS DRAWING IS THE SOLE PROPERTY OF OCEAN INSIGHT, INC.</p> <p>ANY REPRODUCTION IN PART OR AS A WHOLE WITHOUT THE WRITTEN PERMISSION OF OCEAN INSIGHT, INC. IS STRICTLY PROHIBITED.</p> <p>DO NOT SCALE DRAWING</p>	- DIMENSIONS IN [MM] INCHES - UNLESS OTHERWISE NOTED		DATE	NAME	<p>TITLE:</p> <p>OCEAN SR2 SPECTROMETER ASSEMBLY (CONFIGURABLE)</p> <p>PART NO.</p>	
	.XX	±.01	MODELED	08/11/2021		R. BROSILOW
	.XXX	±.005	DRAWN	08/11/2021		R. BROSILOW
	.XXXX	±.0005				
	Angular ±0.5°	THIRD ANGLE PROJECTION				
	INTERPRET GEOMETRIC TOLERANCING PER: ASME Y14.5-2009	MATERIAL	COMMENTS:			
	FINISH					
			SIZE	DWG. NO.	REV	
			B	OCEAN-SR_CD	NRC	
			SCALE: N/A		SHEET 1 OF 1	