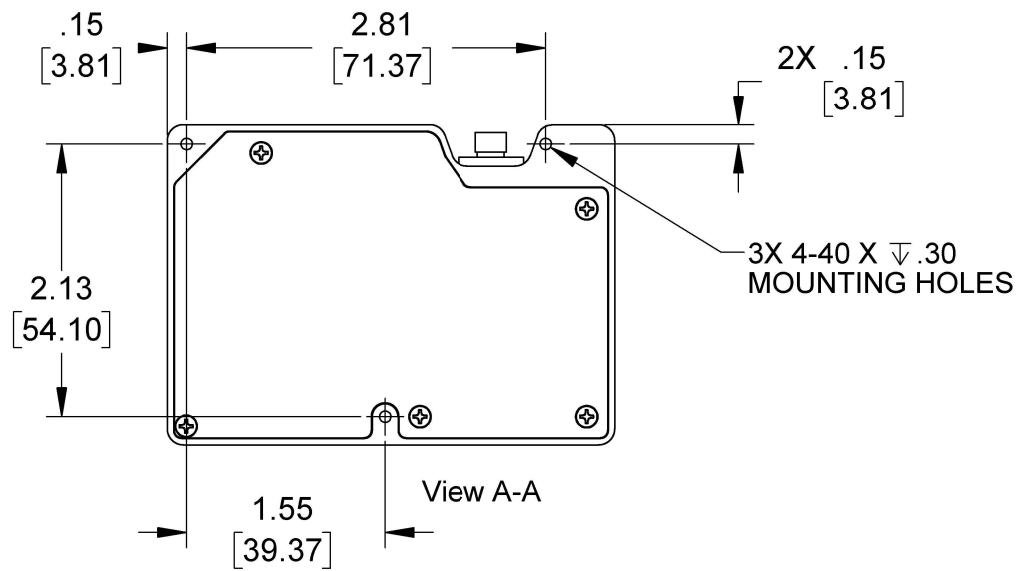
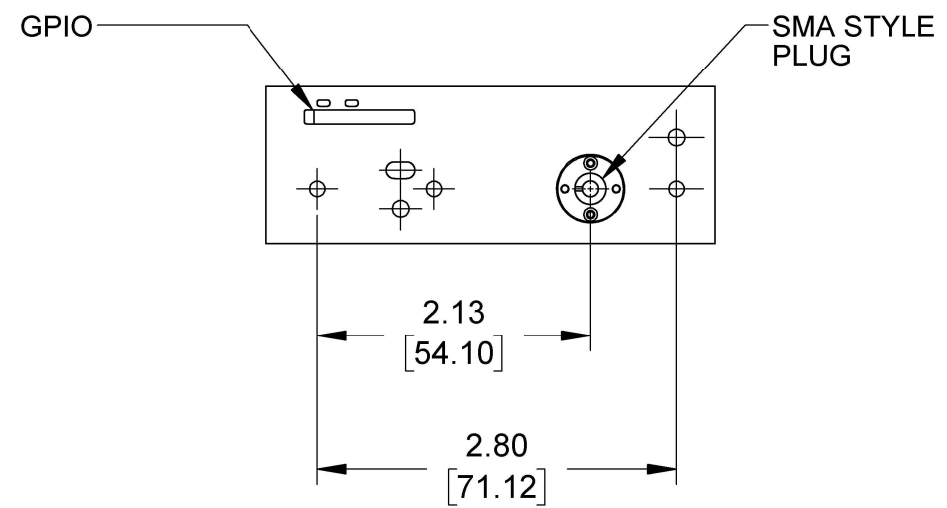
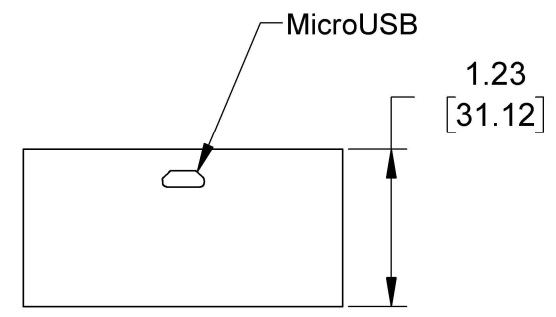
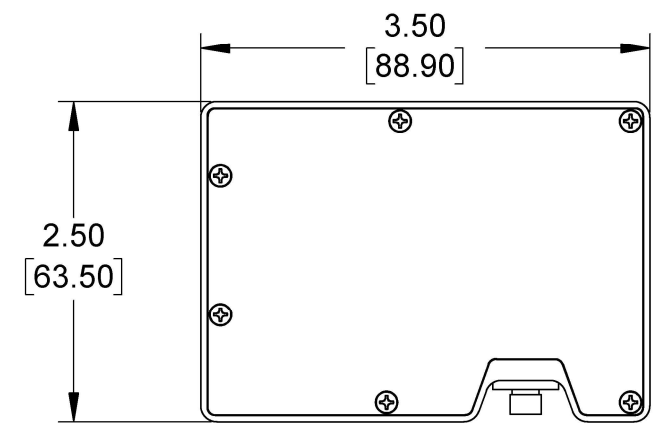
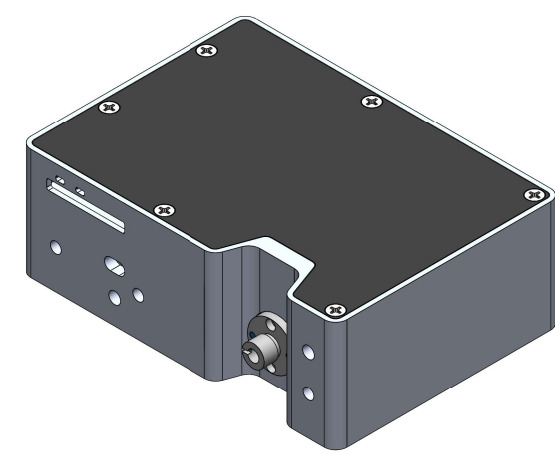


REVISION				
REV	DESCRIPTION	ECN	DATE	BY

**GENERAL NOTES:**  
(UNLESS NOTED OTHERWISE)

1. All dimensions subject to change without notice.
2. For STEP file see: 225-00000-00\_CD.step



<p>8060 Bryan Dairy Road Largo, FL 33777 727 733 2447 www.oceaninsight.com</p> <p><b>PROPRIETARY AND CONFIDENTIAL</b></p> <p>THE INFORMATION CONTAINED IN THIS DRAWING IS THE SOLE PROPERTY OF OCEAN INSIGHT, INC.</p> <p>ANY REPRODUCTION IN PART OR AS A WHOLE WITHOUT THE WRITTEN PERMISSION OF OCEAN INSIGHT, INC. IS STRICTLY PROHIBITED.</p> <p><b>DO NOT SCALE DRAWING</b></p>	<p>- DIMENSIONS IN INCHES - UNLESS OTHERWISE NOTED</p> <p>.XX ±.02</p> <p>.XXX ±.005</p> <p>.XXXX ±.0005</p> <p>Angular ±0.5°</p>	<p>DATE</p> <p>MODELED 09/17/2014</p> <p>DRAWN 09/17/2014</p>	<p>NAME</p> <p>R. BROSILOW</p> <p>R. BROSILOW</p>	<p>TITLE:</p> <p><b>FLAME</b></p>	
	<p>THIRD ANGLE PROJECTION</p>	<p>COMMENTS:</p>		<p>PART NO. <b>225-00000-000_CD</b></p>	
	<p>INTERPRET GEOMETRIC TOLERANCING PER: ASME Y14.5-2009</p> <p>MATERIAL</p> <p>FINISH</p>	<p>SIZE <b>B</b></p> <p>DWG. NO. 225-00000-000_CD</p>		<p>REV <b>03</b></p>	
	<p>SCALE: <b>N/A</b></p>		<p>SHEET 1 OF 1</p>		