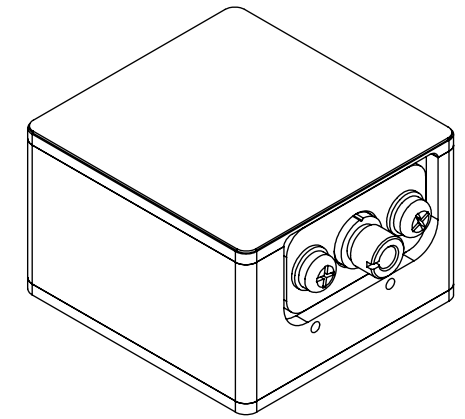


GENERAL NOTES:  
(UNLESS OTHERWISE SPECIFIED)

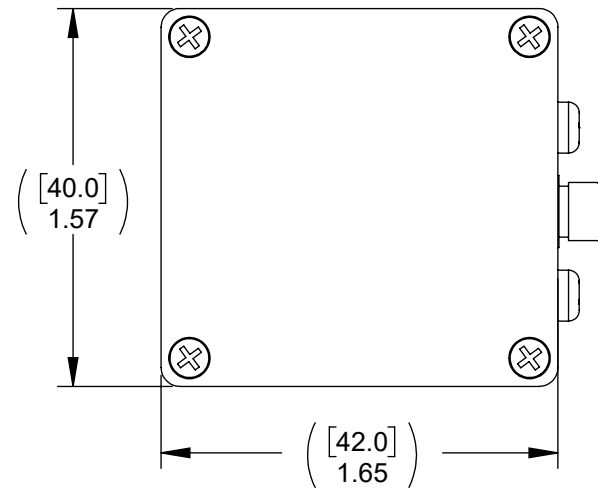
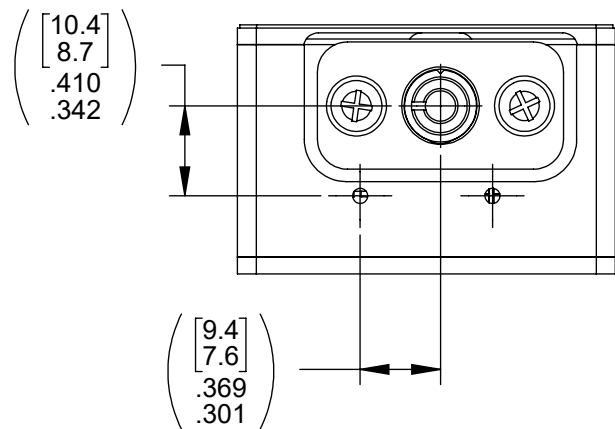
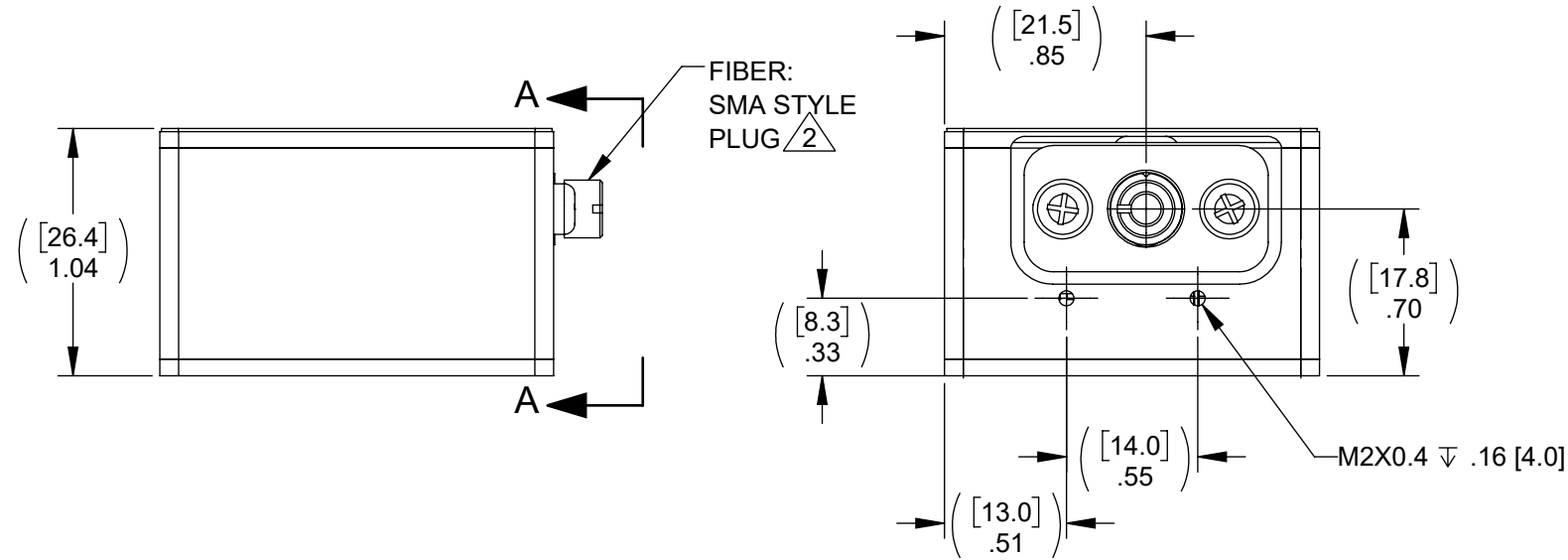
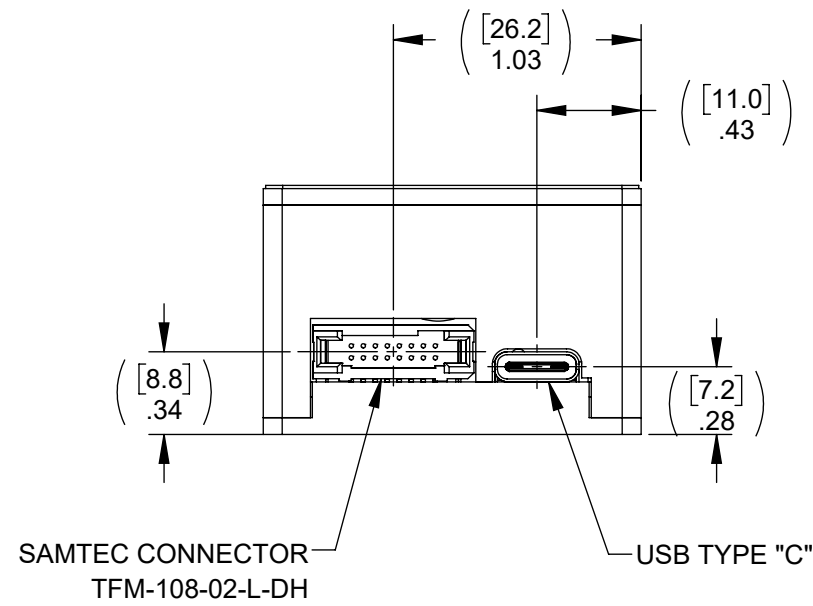
1. DIMENSIONS ARE SUBJECT TO CHANGE WITHOUT NOTICE.

2. SMA HAS A POSITIONAL TOLERANCE RANGE. SEE VIEW A-A FOR DETAILS.

REVISION				
REV	DESCRIPTION	ECN	DATE	BY
02	ADD DUAL DIMENSION [mm]	-	01/11/23	KRH



ISOMETRIC VIEW  
FOR REFERENCE ONLY



<p>3500 Quadrangle Blvd. Orlando, FL 32817</p> <p>727 733 2447 www.oceaninsight.com</p> <p><b>PROPRIETARY AND CONFIDENTIAL</b></p> <p>THE INFORMATION CONTAINED IN THIS DRAWING IS THE SOLE PROPERTY OF OCEAN INSIGHT, INC.</p> <p>ANY REPRODUCTION IN PART OR AS A WHOLE WITHOUT THE WRITTEN PERMISSION OF OCEAN INSIGHT, INC. IS STRICTLY PROHIBITED.</p> <p><b>DO NOT SCALE DRAWING</b></p>	<p>- DIMENSIONS IN [MM] INCHES - UNLESS OTHERWISE NOTED</p> <p>.XX ±.01</p> <p>.XXX ±.005</p> <p>.XXXX ±.0005</p> <p>Angular ±0.5°</p>	<p>DATE</p> <p>MODELED 07/28/22</p> <p>DRAWN 07/28/22</p>	<p>NAME</p> <p>KRH</p> <p>KRH</p>	<p>TITLE:</p> <p><b>ST SPECTROMETER ASSEMBLY</b></p>	
	<p>THIRD ANGLE PROJECTION</p>	<p>INTERPRET GEOMETRIC TOLERANCING PER: ASME Y14.5-2018</p>	<p>COMMENTS:</p>	<p>PART NO.</p>	<p>SIZE</p> <p><b>B</b></p>
	<p>MATERIAL</p>	<p>FINISH</p>	<p>SCALE: N/A</p>	<p>DWG. NO.</p> <p>OCEAN-ST_CD</p>	<p>REV</p> <p><b>02</b></p>
	<p>SHEET 1 OF 1</p>				