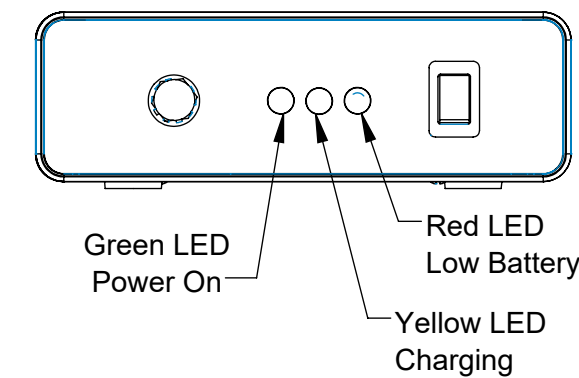
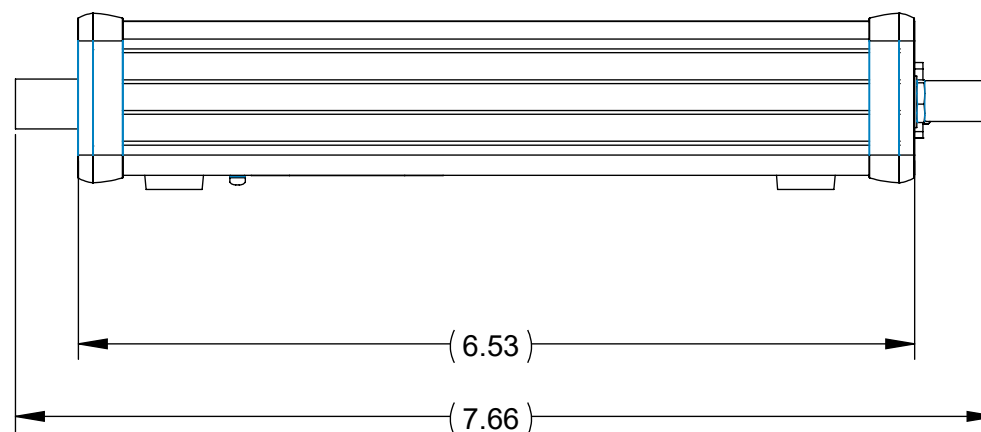
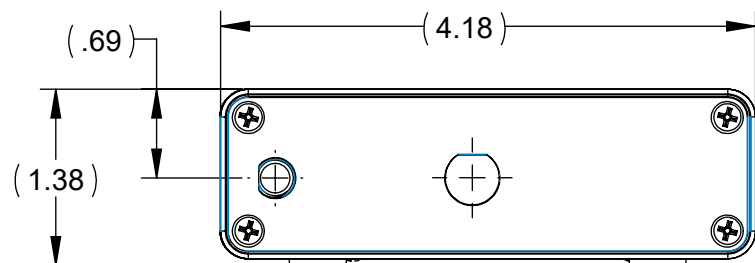
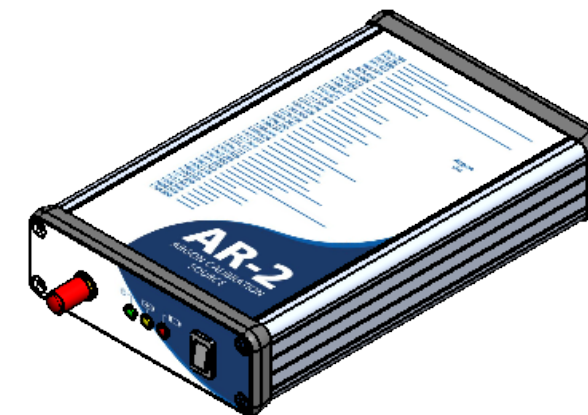
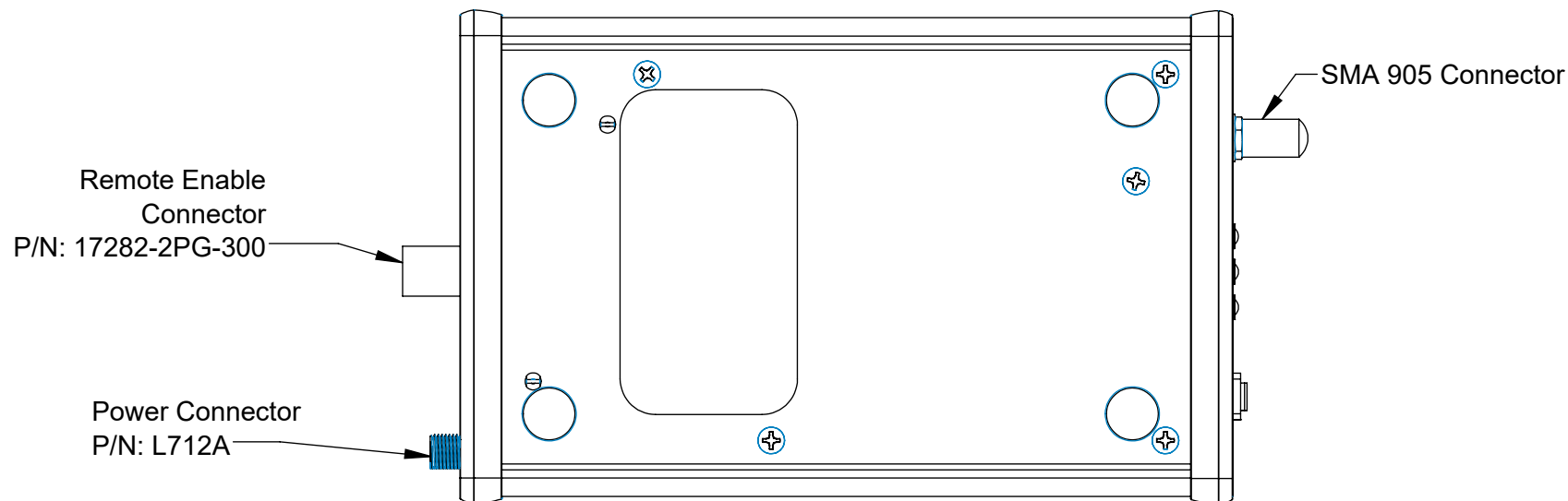


GENERAL NOTES:
(UNLESS NOTED OTHERWISE)

1. All dimensions subject to change without notice.
2. For STEP file see: B17-00000-AR2--CC.STEP

REVISION				
REV	DESCRIPTION	ECN	DATE	BY
01			07-25-2018	



<p>8060 Bryan Road Largo, FL 33777</p> <p>727 733 2447 www.oceanoptics.com</p> <p>PROPRIETARY AND CONFIDENTIAL</p> <p>THE INFORMATION CONTAINED IN THIS DRAWING IS THE SOLE PROPERTY OF OCEAN OPTICS, INC.</p> <p>ANY REPRODUCTION IN PART OR AS A WHOLE WITHOUT THE WRITTEN PERMISSION OF OCEAN OPTICS, INC. IS STRICTLY PROHIBITED.</p> <p>DO NOT SCALE DRAWING</p>	<p>- DIMENSIONS IN INCHES - UNLESS OTHERWISE NOTED</p> <p>.XX ±.02</p> <p>.XXX ±.005</p> <p>.XXXX ±.0005</p> <p>Angular ±0.5°</p> <p>THIRD ANGLE PROJECTION</p> <p>INTERPRET GEOMETRIC TOLERANCING PER: ANSI Y14.5</p> <p>MATERIAL</p> <p>FINISH</p>	DATE	NAME	<p>TITLE: Wavecal Assembly, AR-2, Customer Copy</p> <p>PART NO. B17-00000-AR2--CC</p> <p>SIZE B DWG. NO. B17-00000-AR2--CC REV 01</p> <p>SCALE: N/A SHEET 1 OF 1</p>	
		MODELED			
		DRAWN			
		COMMENTS:			