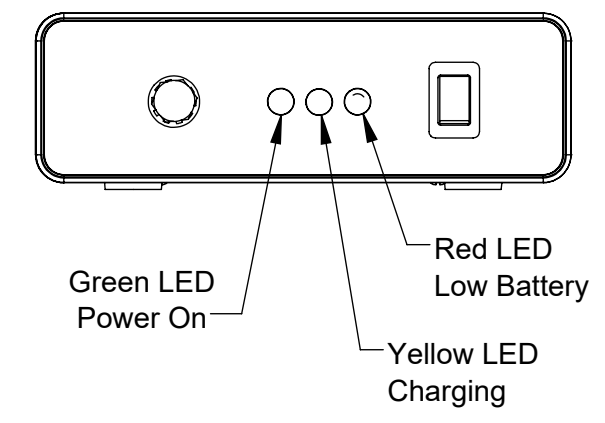
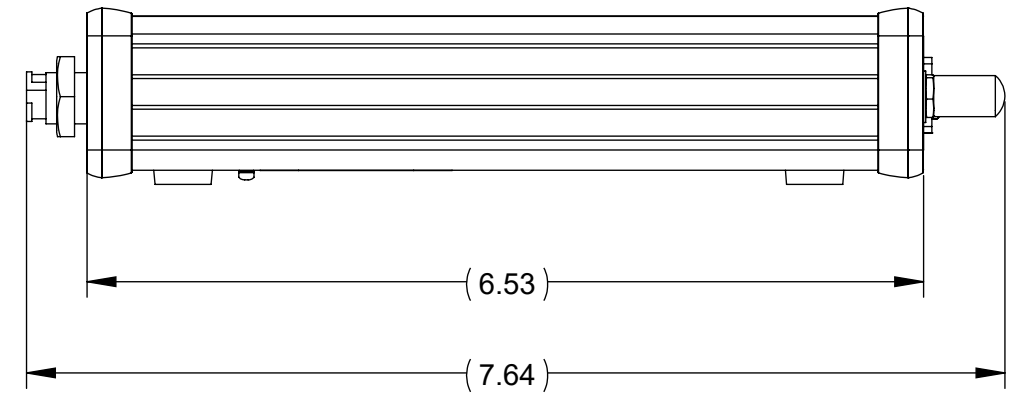
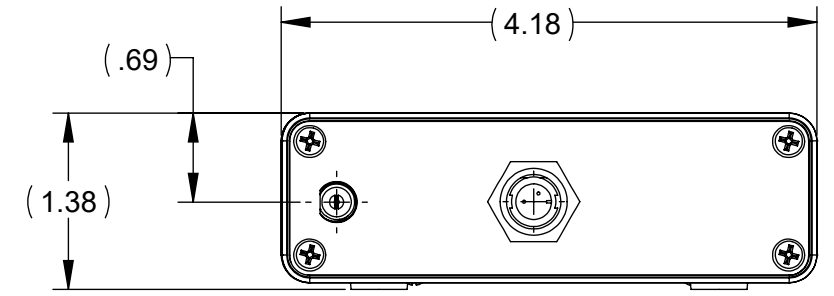
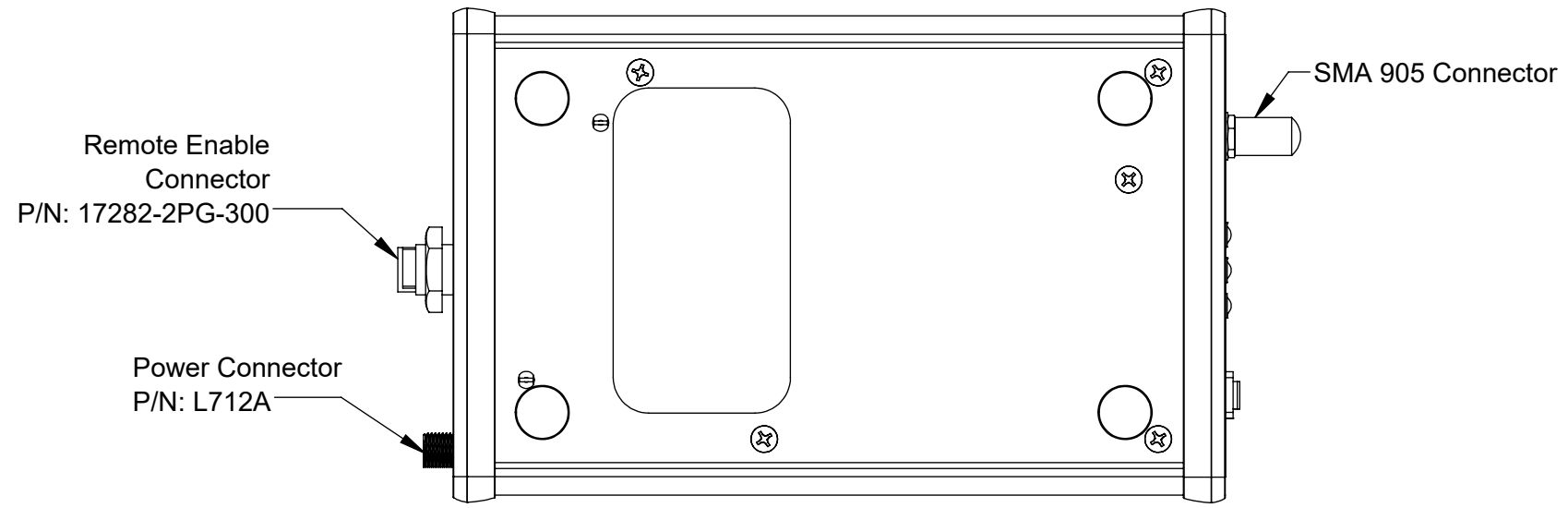



REVISION				
REV	DESCRIPTION	ECN	DATE	BY
N/A			11-27-2018	



 8060 Bryan Road Largo, FL 33777 727 733 2447 www.oceanoptics.com PROPRIETARY AND CONFIDENTIAL THE INFORMATION CONTAINED IN THIS DRAWING IS THE SOLE PROPERTY OF OCEAN OPTICS, INC. ANY REPRODUCTION IN PART OR AS A WHOLE WITHOUT THE WRITTEN PERMISSION OF OCEAN OPTICS, INC. IS STRICTLY PROHIBITED. DO NOT SCALE DRAWING	- DIMENSIONS IN INCHES - UNLESS OTHERWISE NOTED .XX ±.02 .XXX ±.005 .XXXX ±.0005 Angular ±0.5°	DATE: 11-27-2018 NAME: CBOWIE	TITLE: Wave Cal Assembly, HG-2, Customer Drawing
	THIRD ANGLE PROJECTION	MODELED	
	INTERPRET GEOMETRIC TOLERANCING PER: ANSI Y14.5	COMMENTS:	SIZE B DWG. NO. B17-00000-HG2--CD REV 01
	MATERIAL: FINISH:	SCALE: N/A	