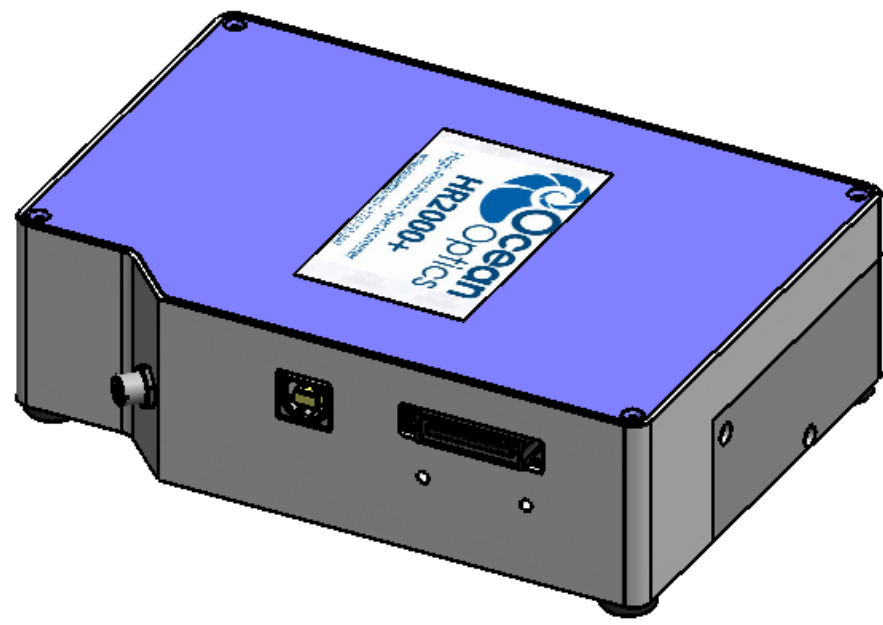
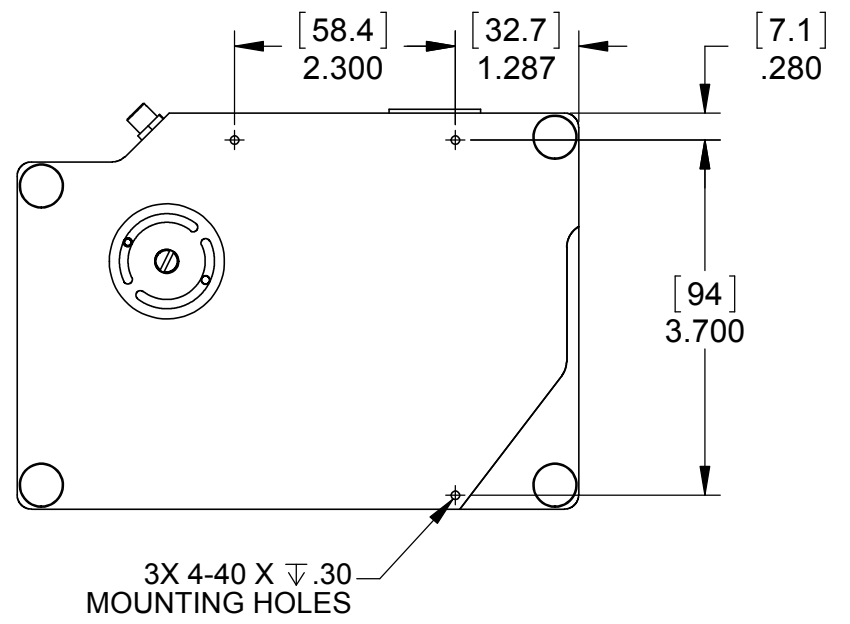
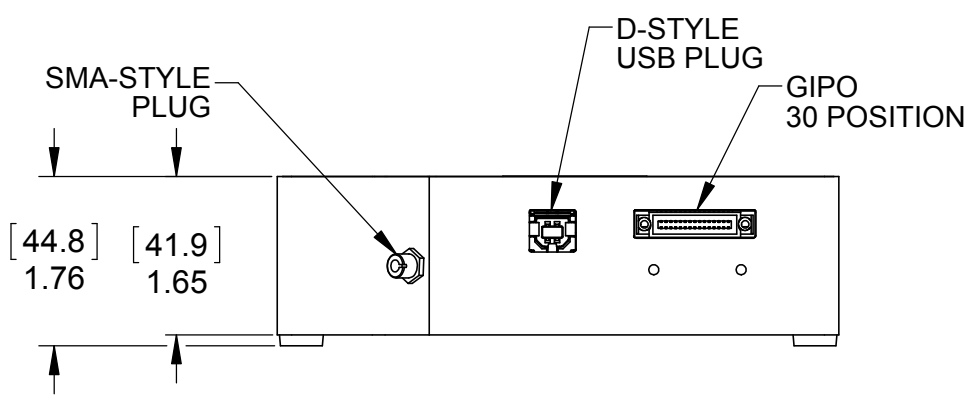
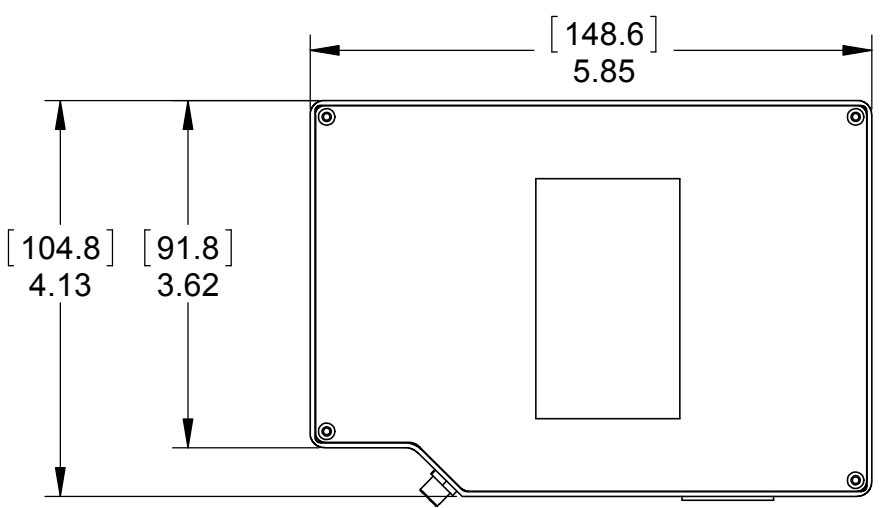



8 7 6 5 4 3 2 1

REVISION				
REV	DESCRIPTION	ECN	DATE	BY
01				

**GENERAL NOTES:**  
(UNLESS NOTED OTHERWISE)

1. All dimensions subject to change without notice.
2. For STEP file see: 294-00000-00\_CD.step



 830 Douglas Ave. Dunedin, FL 34698 727 733 2447 www.oceanoptics.com <b>PROPRIETARY AND CONFIDENTIAL</b> THE INFORMATION CONTAINED IN THIS DRAWING IS THE SOLE PROPERTY OF OCEAN OPTICS, INC. ANY REPRODUCTION IN PART OR AS A WHOLE WITHOUT THE WRITTEN PERMISSION OF OCEAN OPTICS, INC. IS STRICTLY PROHIBITED. <b>DO NOT SCALE DRAWING</b>	- DIMENSIONS IN INCHES - UNLESS OTHERWISE NOTED .X ±.030 .XX ±.015 .XXX ±.005 .XXXX ±.0005 Angular ±0.5°	DATE MODELED 09/17/2014 DRAWN 09/17/2014	NAME R. BROSILOW R. BROSILOW	TITLE: HR2000+ SPECTROMETER ASSEMBLY	
	THIRD ANGLE PROJECTION	COMMENTS:	PART NO. <b>294-00000-000_CD</b>	SIZE <b>B</b>	DWG. NO. 294-00000-000_CD
	INTERPRET GEOMETRIC TOLERANCING PER: ANSI Y14.5	FINISH	REV <b>01</b>	SCALE: N/A	SHEET 1 OF 1
	RELEASED	SCALE: N/A	SHEET 1 OF 1	SHEET 1 OF 1	SHEET 1 OF 1

8 7 6 5 4 3 2 1