

Jaz Ethernet Ferrite Installation

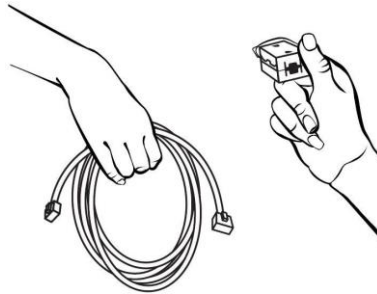
Overview

A ferrite is provided with your JAZ-E Ethernet module to be used in the event that you experience interference with any electronic devices.

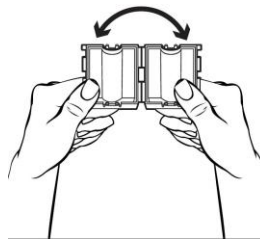
Connecting the Ferrite to the Jaz Ethernet Cable

► Procedure

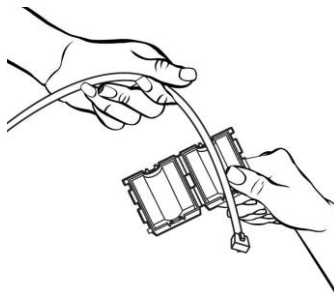
1. Find the Ethernet cable and the ferrite that you received in your Jaz package.



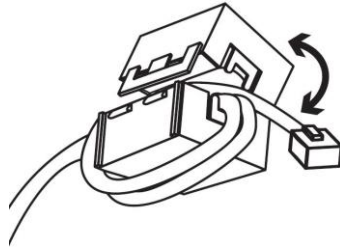
2. Open the ferrite.



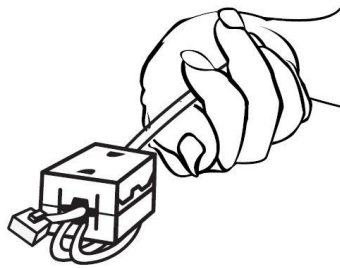
3. Place the ferrite on the Ethernet cable as close to the connector for the computer as possible.



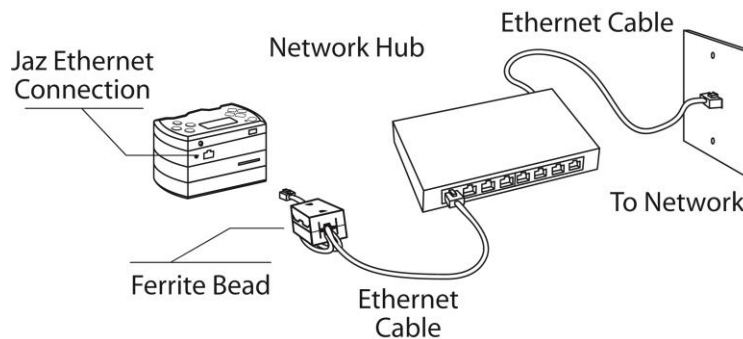
4. Loop the Ethernet cable through the ferrite twice.



5. Snap the ferrite closed to lock it in place.



6. Plug the Ethernet cable into the Ethernet connector on the JAZ-E module, and then to a Power Over Ethernet (POE) bridge or switch to the network (e.g., an 8-port network hub).



Product-Related Documentation

You can access documentation for Ocean Optics products by visiting our website at <http://www.oceanoptics.com>. Select *Support* → *Technical Documents*, then choose the appropriate document from the available drop-down lists.

Support Contact

Please contact Ocean Optics Customer Support at www.oceanoptics.com or 1-727-733-2447 for any questions.