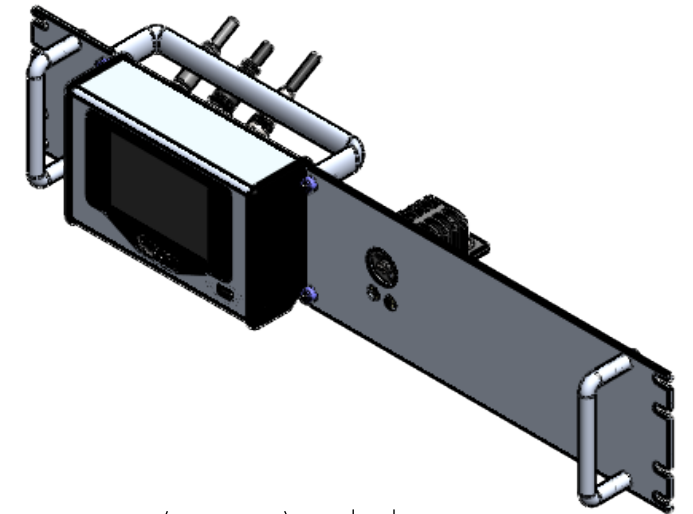


8 7 6 5 4 3 2 1

**GENERAL NOTES:**

1. ALL DIMENSIONS ARE SUBJECT TO CHANGE WITHOUT NOTICE
2. STEP FILE ASSOCIATED: LDC-1C-2U\_Customer\_Copy

REVISIONS				
REV.	DESCRIPTION	ECN	DATE	BY
01	CUSTOMER DRAWING			



D

D

C

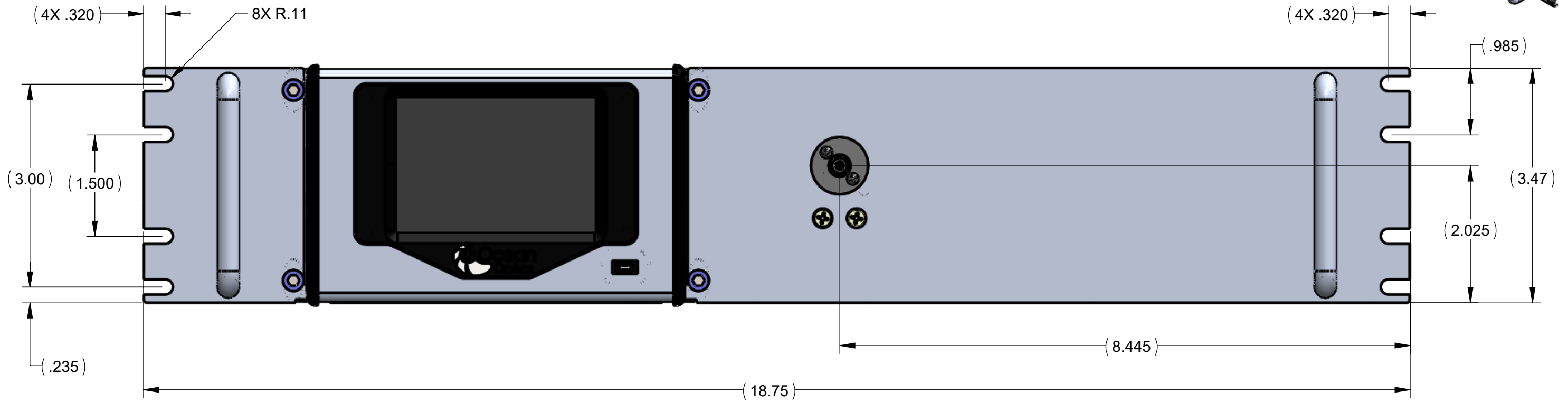
C



B

B

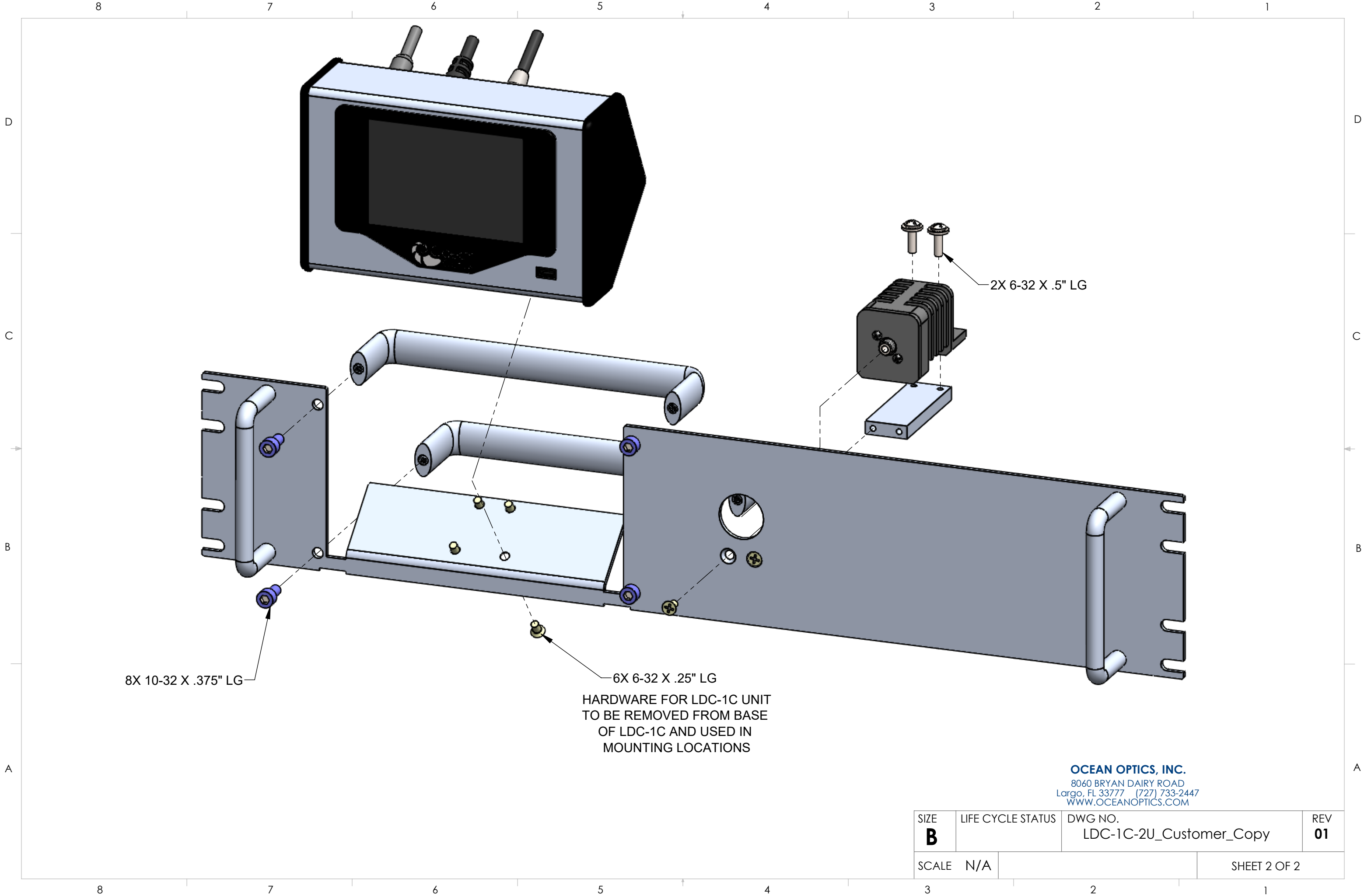
A

A



 8060 Bryan Dairy Road Largo, FL 33777 727 733 2447 www.oceanoptics.com <b>PROPRIETARY AND CONFIDENTIAL</b> THE INFORMATION CONTAINED IN THIS DRAWING IS THE SOLE PROPERTY OF OCEAN OPTICS, INC. ANY REPRODUCTION IN PART OR AS A WHOLE WITHOUT THE WRITTEN PERMISSION OF OCEAN OPTICS, INC. IS STRICTLY PROHIBITED. <b>DO NOT SCALE DRAWING</b>	- DIMENSIONS IN INCHES - UNLESS OTHERWISE NOTED .X ±.030 .XX ±.015 .XXX ±.005 .XXXX ±.0005 Angular ±0.5°	DATE MODELED 05/18/2018 DRAWN 09-12-2018	NAME DSM CBOWIE	TITLE: 2U Rack Mount kit, LDC-1C + LSM_Customer Copy	
	THIRD ANGLE PROJECTION 	COMMENTS:	PART NO. <b>LDC-1C-2U_Customer_Copy</b>		
	INTERPRET GEOMETRIC TOLERANCING PER: ANSI Y14.5		SIZE <b>B</b>	DWG. NO. LDC-1C-2U_Customer_Copy	REV <b>01</b>
	MATERIAL		SCALE: <b>N/A</b>		SHEET 1 OF 2
FINISH					

8 7 6 5 4 3 2 1



8X 10-32 X .375" LG

6X 6-32 X .25" LG

2X 6-32 X .5" LG

HARDWARE FOR LDC-1C UNIT  
TO BE REMOVED FROM BASE  
OF LDC-1C AND USED IN  
MOUNTING LOCATIONS

**OCEAN OPTICS, INC.**  
8060 BRYAN DAIRY ROAD  
Largo, FL 33777 (727) 733-2447  
WWW.OCEANOPTICS.COM

SIZE <b>B</b>	LIFE CYCLE STATUS	DWG NO. LDC-1C-2U_Customer_Copy	REV <b>01</b>
SCALE N/A	SHEET 2 OF 2		