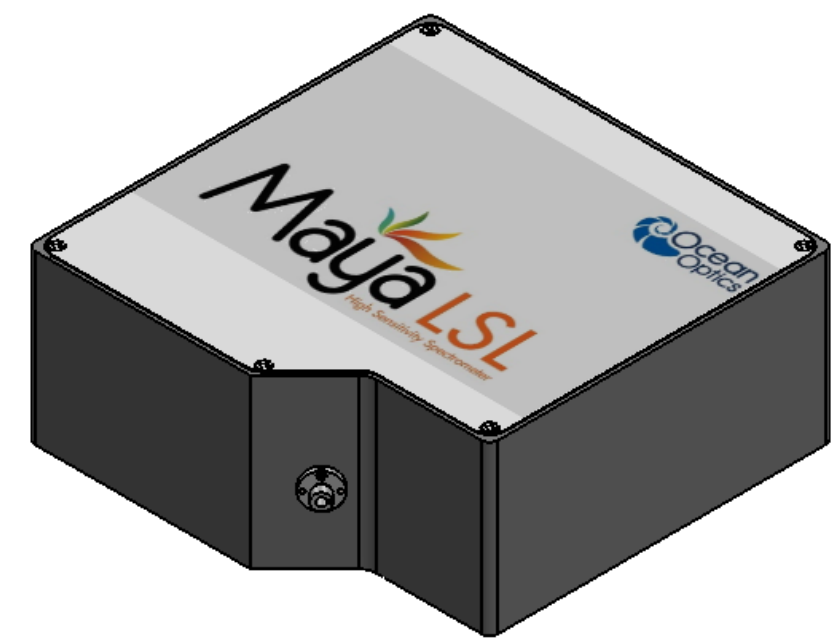
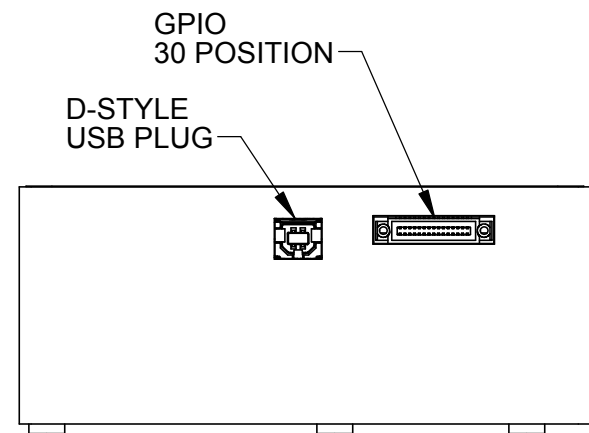
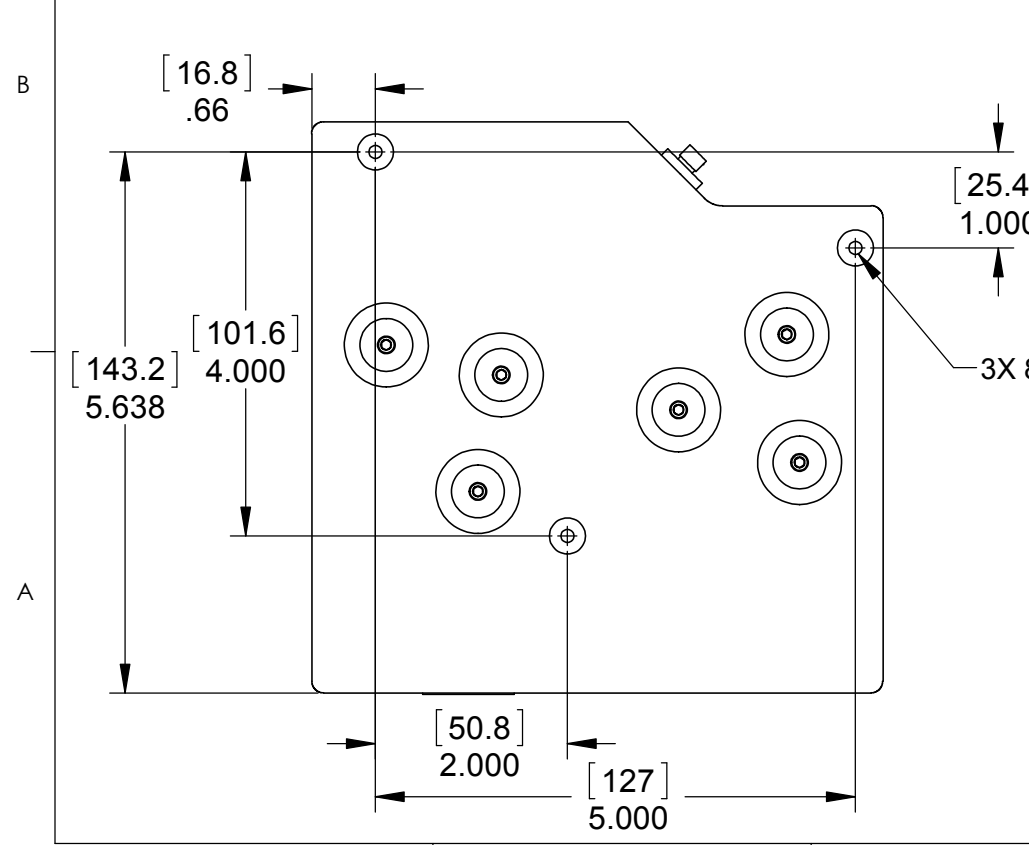
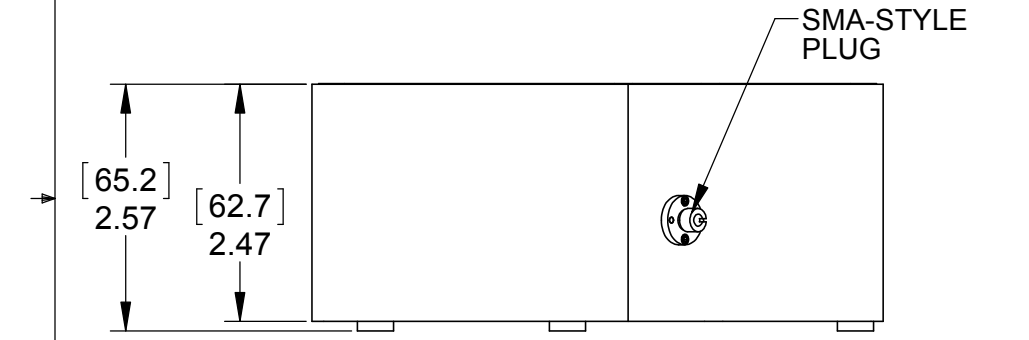
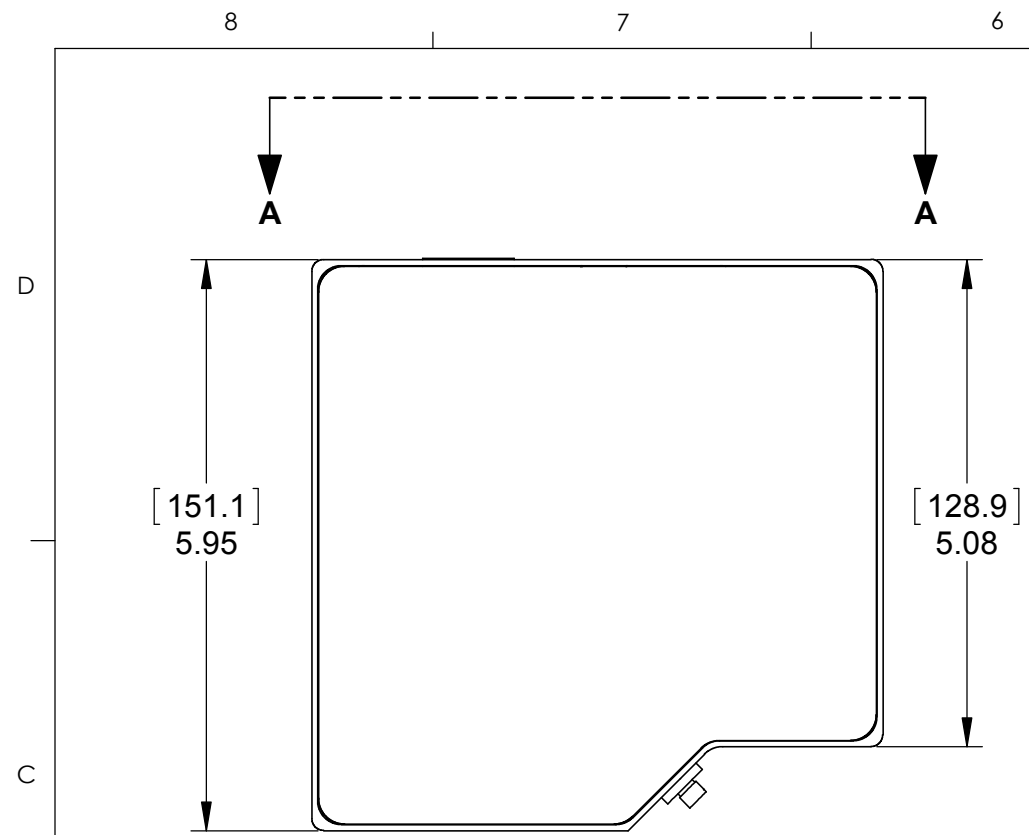


REVISION				
REV	DESCRIPTION	ECN	DATE	BY
01				

GENERAL NOTES:
(UNLESS NOTED OTHERWISE)

1. All dimensions subject to change without notice.
2. For STEP file see: 098-00000-00_CD.step



<p>830 Douglas Ave. Dunedin, FL 34698</p> <p>727 733 2447 www.oceanoptics.com</p> <p>PROPRIETARY AND CONFIDENTIAL</p> <p>THE INFORMATION CONTAINED IN THIS DRAWING IS THE SOLE PROPERTY OF OCEAN OPTICS, INC.</p> <p>ANY REPRODUCTION IN PART OR AS A WHOLE WITHOUT THE WRITTEN PERMISSION OF OCEAN OPTICS, INC. IS STRICTLY PROHIBITED.</p> <p>DO NOT SCALE DRAWING</p>	<p>- DIMENSIONS IN INCHES - UNLESS OTHERWISE NOTED</p> <p>.X ±.030</p> <p>.XX ±.015</p> <p>.XXX ±.005</p> <p>.XXXX ±.0005</p> <p>Angular ±0.5°</p>	<p>DATE</p> <p>MODELED 09/17/2014</p> <p>DRAWN 09/17/2014</p>	<p>NAME</p> <p>R. BROSILOW</p> <p>R. BROSILOW</p>	<p>TITLE:</p> <p>MAYA LSL SPECTROMETER ASSY</p>	
	<p>THIRD ANGLE PROJECTION</p>	<p>INTERPRET GEOMETRIC TOLERANCING PER: ANSI Y14.5</p>	<p>COMMENTS:</p>	<p>PART NO.</p> <p>098-00000-000_CD</p>	
	<p>MATERIAL</p>	<p>FINISH</p>	<p>SIZE</p> <p>B</p>	<p>DWG. NO.</p> <p>098-00000-000_CD</p>	<p>REV</p> <p>01</p>
	<p>SCALE: N/A</p>	<p>3.234</p>	<p>SHEET 1 OF 1</p>		