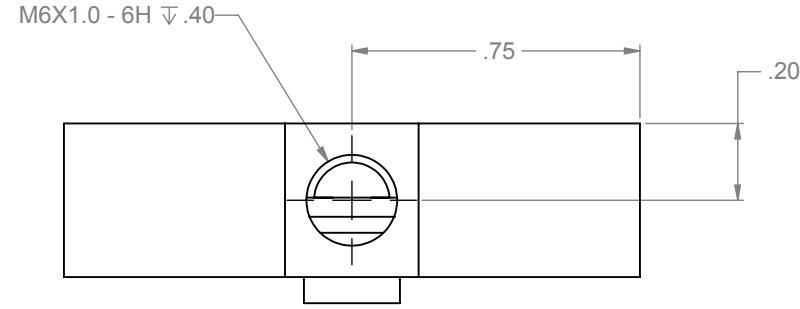
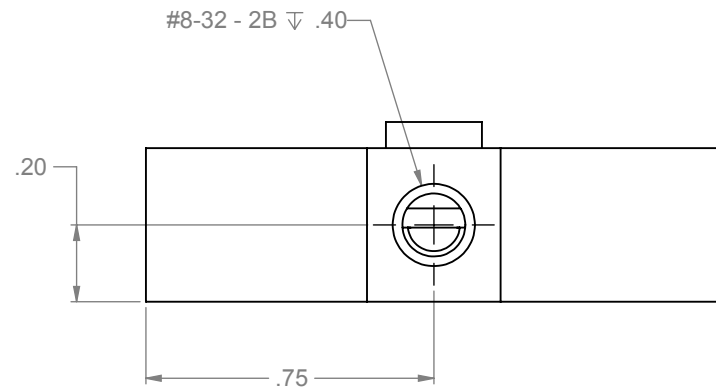
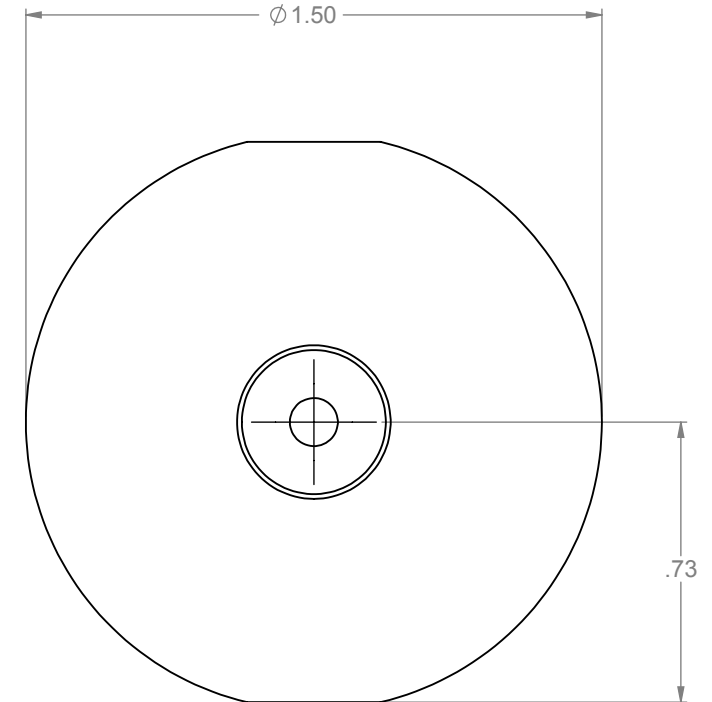
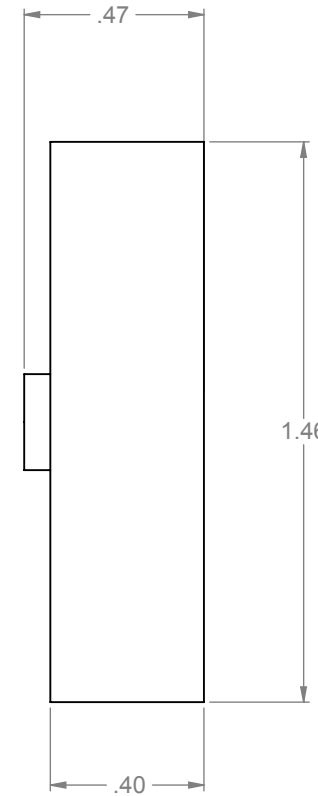
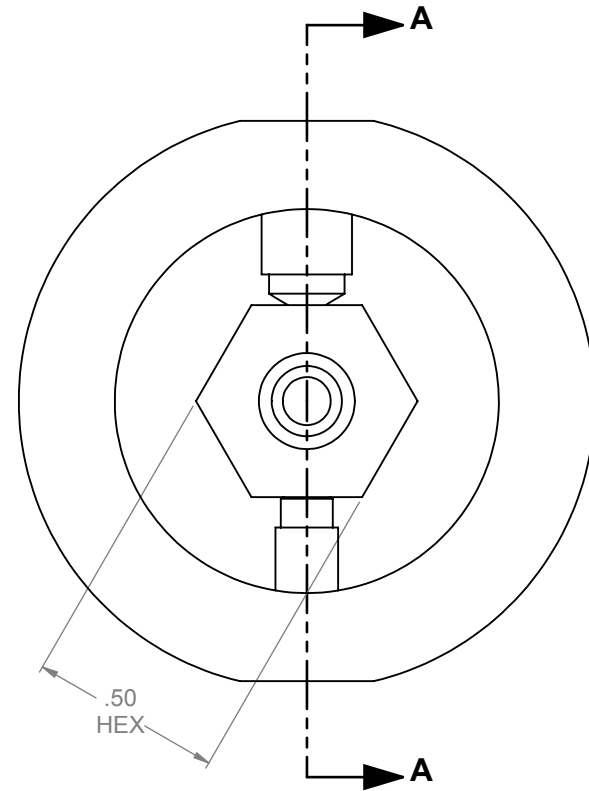
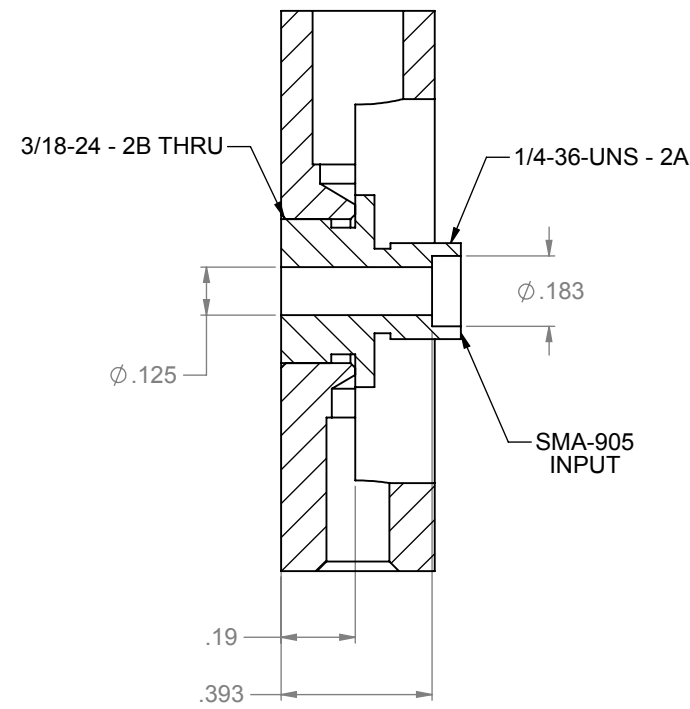


8 7 6 5 4 3 2 1



SECTION A-A



NOTES:
 1-DRAWING IS CUSTOMER COPY AND IS NON-REVISION CONTROLLED
 2-ALL DIMENSIONS ARE FOR REFERENCE ONLY

 830 Douglas Ave. Dunedin, FL 34698 727 733 2447 www.oceanoptics.com PROPRIETARY AND CONFIDENTIAL THE INFORMATION CONTAINED IN THIS DRAWING IS THE SOLE PROPERTY OF OCEAN OPTICS, INC. ANY REPRODUCTION IN PART OR AS A WHOLE WITHOUT THE WRITTEN PERMISSION OF OCEAN OPTICS, INC. IS STRICTLY PROHIBITED. DO NOT SCALE DRAWING	- DIMENSIONS IN INCHES - UNLESS OTHERWISE NOTED .X ±.030 .XX ±.015 .XXX ±.005 .XXXX ±.0005 Angular ±0.5°	DATE 3/15/2012	NAME Pedro Romero	TITLE: OPM-SMA - Optical Post Mount with SMA Assembly
	THIRD ANGLE PROJECTION	MODELED 3/15/2012	DRAWN 3/15/2012	
INTERPRET GEOMETRIC TOLERANCING PER: ANSI Y14.5	MFG APPR.	ENG APPR.	Q.A.	PART NO. 074-50000-000
MATERIAL	COMMENTS: None	SCALE:	DWG. NO. 074-50000-000-CC	REV NA
FINISH	LIFECYCLE STATUS:	WT. (lbs) 0.049	SHEET 1 OF 1	

8 7 6 5 4 3 2 1