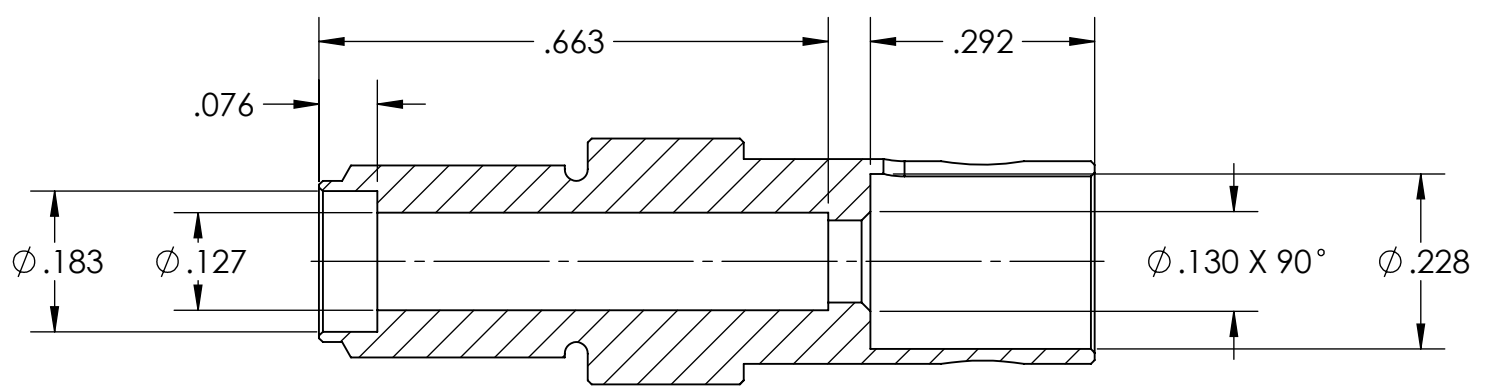
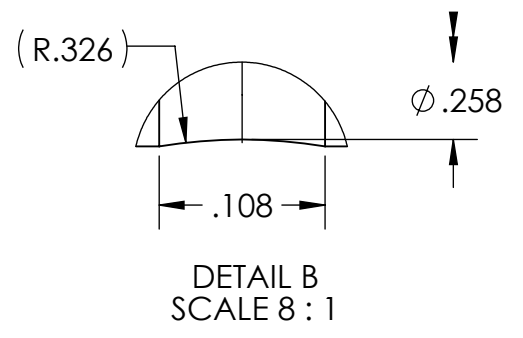
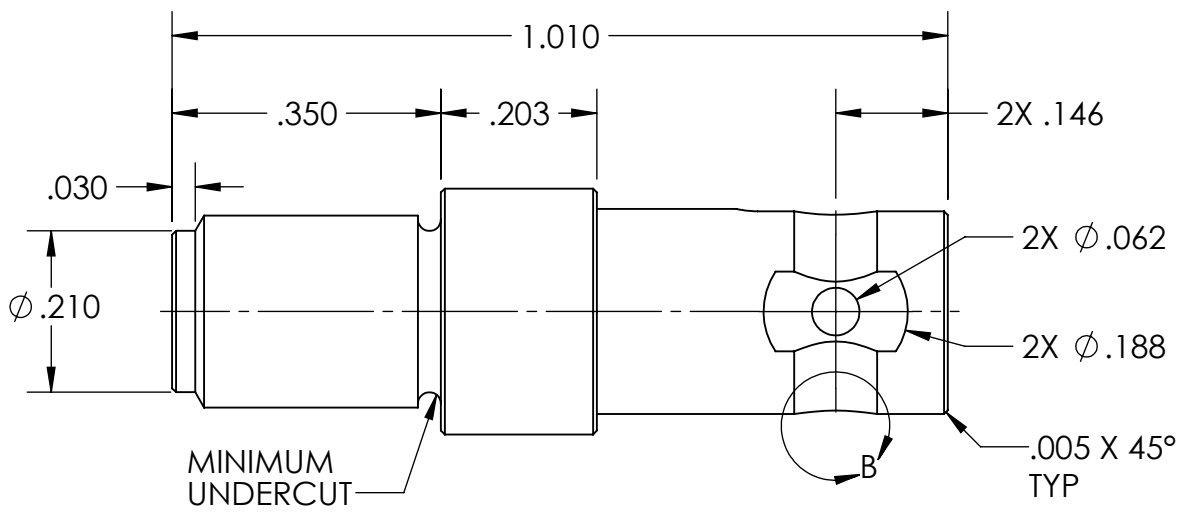
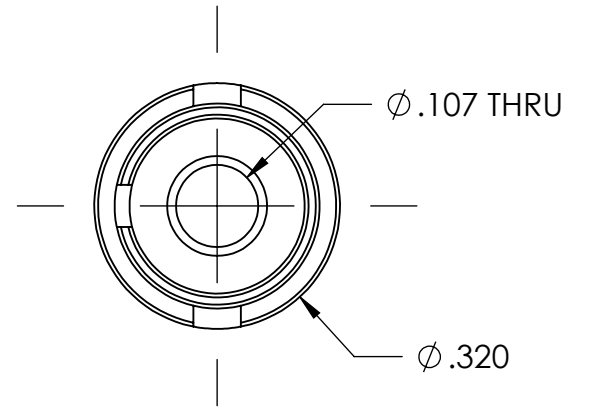
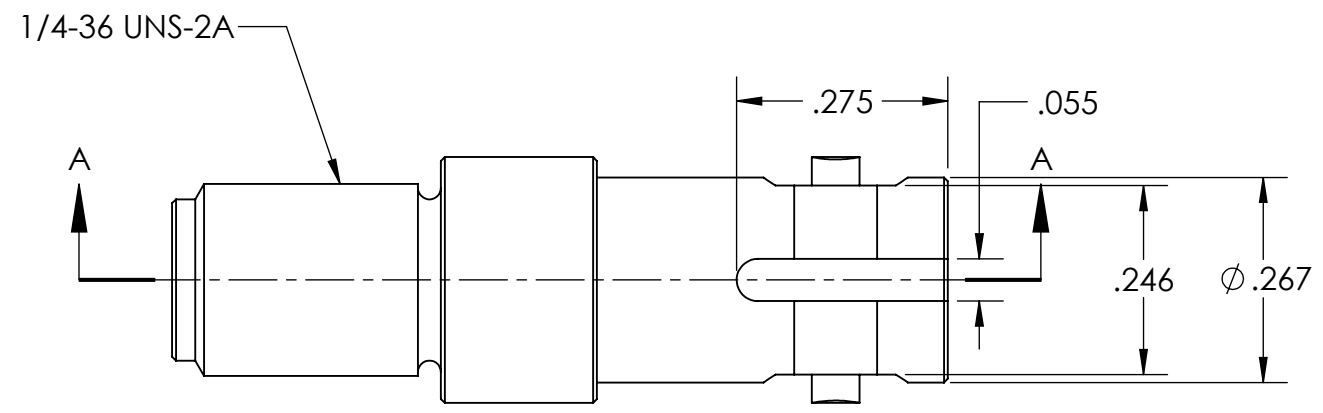
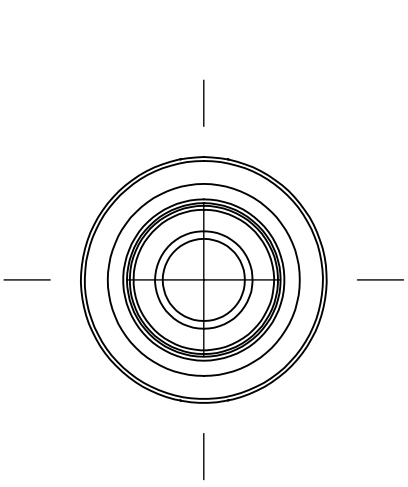


8 7 6 5 4 3 2 1

D
C
B
A



SECTION A-A

UNLESS OTHERWISE SPECIFIED: DIMENSIONS ARE IN INCHES TOLERANCES: ANGULAR: MACH ± 0.5° TWO PLACE DECIMAL ±0.01 THREE PLACE DECIMAL ±0.005 INTERPRET GEOMETRIC TOLERANCING PER: MATERIAL 303 S/S FINISH NONE DO NOT SCALE DRAWING	NAME	DATE	TITLE: OCEAN OPTICS ADAPTER			
	DRAWN	RFV			7/28/16	
	CHECKED					
	ENG APPR.			SIZE	DWG. NO.	REV
	MFG APPR.			B	SMA-ST-ADP	NONE
Q.A.			SCALE: 4:1			
COMMENTS:			SHEET 1 OF 1			

8 7 6 5 4 3 2 1