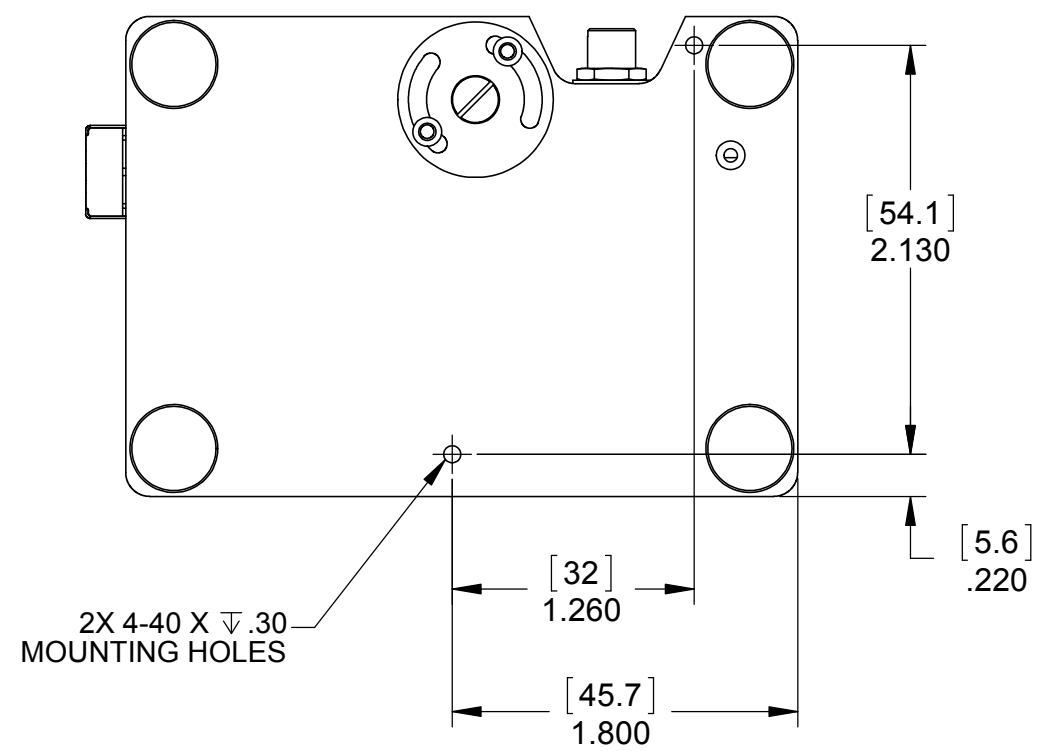
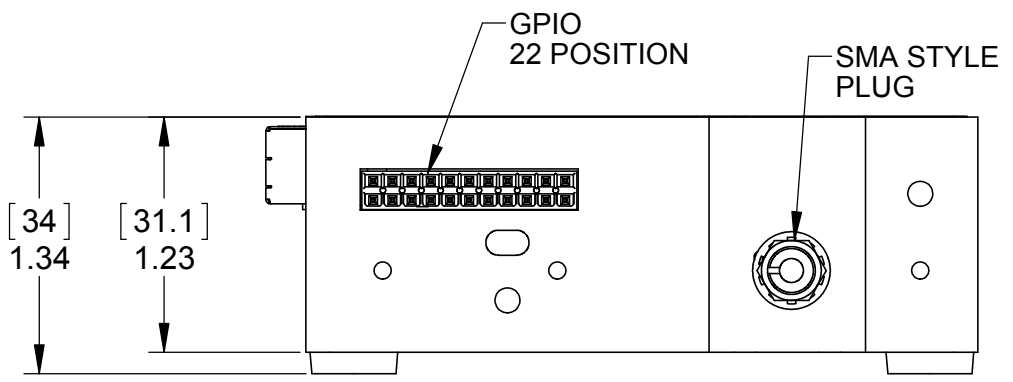
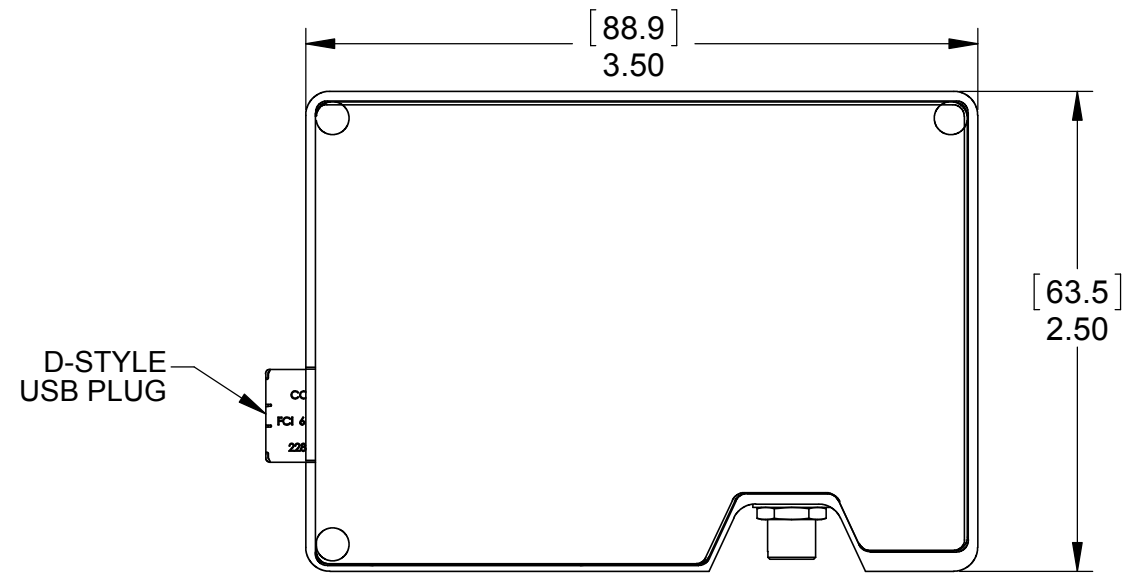



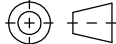
8 7 6 5 4 3 2 1

REVISION				
REV	DESCRIPTION	ECN	DATE	BY
01				

**GENERAL NOTES:**  
(UNLESS NOTED OTHERWISE)

1. All dimensions subject to change without notice.
2. For STEP file see: 211-00000-00\_CD.step



 830 Douglas Ave. Dunedin, FL 34698 727 733 2447 www.oceanoptics.com	- DIMENSIONS IN INCHES - UNLESS OTHERWISE NOTED		DATE	NAME	TITLE: USB4000 SPECTROMETER ASSEMBLY	
	.X	±.030	MODELED	09/17/2014		R. BROSILOW
	.XX	±.015	DRAWN	09/17/2014		R. BROSILOW
	.XXX	±.005				
	.XXX	±.005				
	.XXXX	±.0005				
	Angular ±0.5°					
PROPRIETARY AND CONFIDENTIAL THE INFORMATION CONTAINED IN THIS DRAWING IS THE SOLE PROPERTY OF OCEAN OPTICS, INC. ANY REPRODUCTION IN PART OR AS A WHOLE WITHOUT THE WRITTEN PERMISSION OF OCEAN OPTICS, INC. IS STRICTLY PROHIBITED. DO NOT SCALE DRAWING	THIRD ANGLE PROJECTION 	INTERPRET GEOMETRIC TOLERANCING PER: ANSI Y14.5	COMMENTS:		PART NO. <b>211-00000-000_CD</b>	
FINISH					SIZE <b>B</b> DWG. NO. 211-00000-000_CD REV <b>01</b>	
			RELEASED		SCALE: N/A 0.442 SHEET 1 OF 1	

8 7 6 5 4 3 2 1